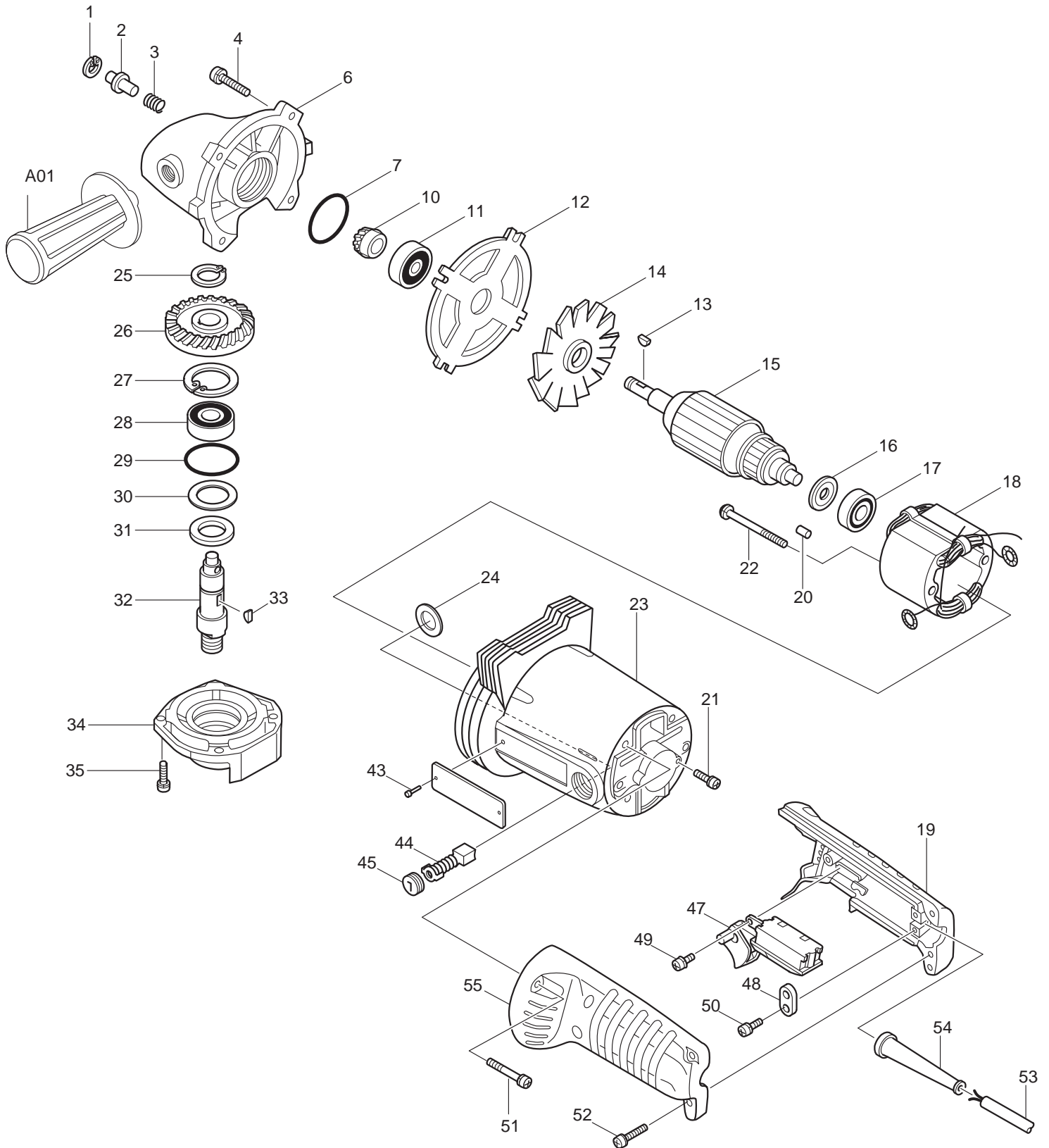




03- 2010  
GA7911  
7" / 9" SANDER - GRINDER



Item No.	Type	Sub	Part No.	Description	Qty	Unit
1			962062-5	RETAINING RING R-12	1	PC.
2			256615-3	PIN 6	1	PC.
3			231037-8	COMPRESSION SPRING 7	1	PC.
4			911236-5	PAN HEAD SCREW M5X22	4	PC.
6			156781-5	GEAR HOUSING	1	PC.
		INC.	212063-6	NEEDLE BEARING 1012	1	PC.
		INC.		Item No. 7		
7			213506-1	O RING 36	1	PC.
8			961051-7	RETAINING RING S-11 (OLD)	1	PC.
9			257062-1	RING 11 (OLD)	1	PC.
10			221322-7	SPIRAL BEVEL GEAR 17	1	PC.
11			211111-8	BALL BEARING 6301LLB	1	PC.
12			341706-4	PLATE	1	PC.
13	1		254001-2	WOODRUFF KEY 4	1	PC.
	2		254038-9	WOODRUFF KEY 4	1	PC.
14			241315-8	FAN 100	1	PC.
15			518423-3	ARMATURE ASS'Y 115V	1	PC.
		INC.		Item No. 14,16,17		
16			213051-6	DUST SEAL 10	1	PC.
17			211068-3	BALL BEARING 6200LB	1	PC.
18			524796-4	FIELD ASS'Y 115V	1	PC.
		INC.	654020-2	RING TERMINAL	2	PC.
		INC.	654502-4	CONNECTOR P-2	2	PC.
19			181390-1	HANDLE SET	1	SET
		INC.		Item No. 55		
20			263002-9	RUBBER PIN 4	1	PC.
21			652014-1	PAN HEAD SCREW M4X8	1	PC.
22			911290-9	PAN HEAD SCREW M5X65	2	PC.
23			156780-7	MOTOR HOUSING COMPLETE	1	PC.
		INC.	421168-3	TOOL REST	1	PC.
		INC.	643653-8	BRUSH HOLDER 6.5-13.5	2	PC.
		INC.	913206-0	SET SCREW M5X8	2	PC.
		INC.		Item No. 20		
24			681002-1	INSULATION WASHER	2	PC.
25			961057-5	RETAINING RING S-17	1	PC.
26			221323-5	SPIRAL BEVEL GEAR 58	1	PC.
27			962157-4	RETAINING RING R-40	1	PC.
28			211256-2	BALL BEARING 6203LLB	1	PC.
29			213505-3	O RING 40	1	PC.
30			253772-8	FLAT WASHER 28	1	PC.
31			443036-0	FELT RING 25	1	PC.
32			321355-3	SPINDLE	1	PC.
33	1		254001-2	WOODRUFF KEY 4	1	PC.
	2		254038-9	WOODRUFF KEY 4	1	PC.
34			152228-7	BEARING BOX COMPLETE	1	PC.
		INC.		Item No. 29		
35			911226-8	PAN HEAD SCREW M5X18	4	PC.
40			931102-0	HEX NUT M4 (OLD)	3	PC.
43			953106-2	RIVET 0-5	2	PC.
44	1		181047-4	CARBON BRUSH CB-154 2PC/SET (W/O ORIGIN)	1	SET
	2		194986-9	CARBON BRUSH CB-154 2PC/SET (W/ ORIGIN)	1	SET
	Opt.1		181048-2	A.C. CARBON BRUSH CB-155 2PC/SET (W/O ORIGIN)	1	SET
	Opt.2		194987-7	A.C. CARBON BRUSH CB-155 2PC/SET (W/ ORIGIN)	1	SET
45			643650-4	BRUSH HOLDER CAP 6.5-13.5	2	PC.
47			651128-3	SWITCH C3D-15AS	1	PC.
48			687000-3	STRAIN RELIEF	1	PC.

Item No.	Type	Sub	Part No.	Description	Qty	Unit
49			911113-1	PAN HEAD SCREW M4X10	2	PC.
50			911133-5	PAN HEAD SCREW M4X18	2	PC.
51			911238-1	PAN HEAD SCREW M5X22 (OLD# 911243-8)	4	PC.
52			911148-2	PAN HEAD SCREW M4X25	3	PC.
53			664820-2	POWER SUPPLY CORD AWG#14-3-2.5	1	PC.
54			682505-8	CORD GUARD 10-90	1	PC.
55			181390-1	HANDLE SET	1	SET
		INC.		Item No. 19		
100			652014-1	P.H.SCREW M5X16 W/SPRING WASHER	1	PC.
101			654002-4	EYE TERMINAL 1.25-M4	2	PC.
102			654005-8	TERMINAL 2-M4	3	PC.
200			251259-4	P.H.SCREW M5X16 W/SPRING WASHER	2	PC.
201			942101-7	SPRING WASHER 5	1	PC.
202	1		342114-2	WHEEL COVER BAND	1	PC.
	2		342555-2	WHEEL COVER HOLDER	1	PC.
203			261039-0	URETHANE WASHER 14	3	PC.
<b><u>ACCESSORIES</u></b>				<b>- See catalogue or visit <a href="http://www.makita.ca">www.makita.ca</a> for other optional accessories -</b>		
A01			152492-0	GRIP 36 COMPLETE	1	PC.
A02			743012-7	RUBBER PAD F/7" GRINDER-BULK	1	PC.
			192978-2	RUBBER PAD F/7" GRINDER-PACKAGED	1	PC.
A03			193048-0	SANDING LOCK NUT 5/8-48 (F/ABRASIVE DISC)	1	PC.
A04			191214-3	WHEEL GUARD F/7"	1	PC.
			191215-1	WHEEL GUARD F/9"	1	PC.
A06			224083-8	INNER FLANGE 45 (F/ CUT-OFF WHEEL)	1	PC.
			224111-9	INNER FLANGE 89	1	PC.
A07			792172-2	7" CUT-OFF WHEEL A36(5PC/SET)	1	SET
			A-83618	7" CUT-OFF WHEEL A30T	1	PC.
A08			224512-1	LOCK NUT 5/8-45 (F/ CUT-OFF & GRINDING WHEEL)	1	PC.
A09			743207-2	WIRE CUP BRUSH 4-3/8"	1	PC.
A12			782412-6	LOCK NUT WRENCH	1	PC.
A13			123057-5	SPADE HANDLE	1	PC.
A14			191228-2	ACCESSORY KIT 7"	1	PC.
			191231-3	ACCESSORY KIT 9"	1	PC.